

SESCOM[®]

The Audio Source.

USER MANUAL

SES-AUD-N-HDMI4K

UHD 4K x 2K HDMI Audio Inserter



SESCOM

PO Box 720 • Mt. Marion, NY 12456

www.sescom.com

SES-AUD-N-HDMI4K Audio Inserter

Replace existing audio in an HDMI signal with stereo analog or multichannel digital audio using the Sescom SES-AUD-N-HDMI4K audio inserter.

This Sescom audio inserter provides full 4Kx2K and 3D support for full resolution video. For playback of 4Kx2K/3D HDMI source signals, a 4Kx2K/3D capable display and high speed HDMI cables are required.

NOTE: You may pass existing audio from the HDMI source or replace the audio using the analog or optical input. However, this device will not simultaneously “mix” or combine more than one audio source.

Includes

5VDC/1.2A DC Power Adapter with 4 Plug Adapters



Features

- HDMI, HDCP 1.2 and DVI 1.0 compliant
- HDMI audio sampling rates: up to 192kHz
- Optical (S/PDIF) digital audio sampling rates: up to 192kHz
- HDMI supports high-bit-rate (HBR) audio
- DVI conversion with HDMI to DVI adaptor
- L/R Audio Format Analog Stereo 2CH
- Supports 4Kx2K@24/30Hz resolution and 3D signals

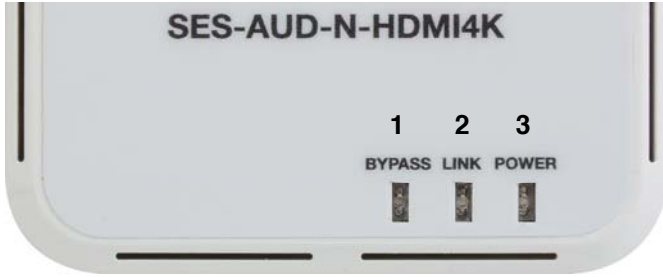
SES-AUD-N-HDMI4K Specifications

SPECIFICATIONS	
VIDEO BANDWIDTH	300Mbps/10.2Gbps
INPUT	1 each: HDMI, Optical, 3.5mm Mini-jack
OUTPUT	1-HDMI
HDMI CABLE I/O DISTANCE	49ft/15m (1080p@8-bit) 32.8ft/10m (1080p@12-bit) 32.8ft/10m (4Kx2K)
HDMI AUDIO FORMATS	LPCM 2/5.1/7.1 ch Dolby Digital 2-5.1 ch DTS 2-5.1 ch, Dolby Digital Plus Dolby TrueHD DTS-HD Master Audio
OPTICAL AUDIO FORMATS	LPCM 2 ch Dolby Digital 2-5.1 ch DTS 2-5.1 ch
POWER CONSUMPTION	2.37W
DIMENSIONS (LWH)	3.35 x 3.45 x 1.34in / 85 x 87.5 x 34mm
WEIGHT	3.6 oz / 102g

SUPPORTED FORMATS			
	HDMI	Optical	Analog
LPCM 2 CHANNEL	✓	✓	✓
LPCM 5.1 CHANNEL	✓	-	-
LPCM 7.1 CHANNEL	✓	-	-
BITSTREAM 5.1 CHANNEL	✓	✓	-
BITSTREAM 7.1 CHANNEL	✓	-	-

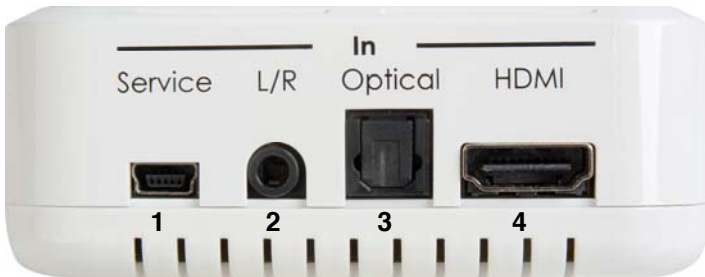
SES-AUD-N-HDMI4K Features

TOP PANEL



- 1 Bypass: Status indicator lights when audio input is switched to HDMI, bypassing the external audio inputs.
- 2 Link: Status indicator lights when an active HDMI signal is being received.
- 3 Power: Status indicator lights when unit is ON.

RIGHT SIDE PANEL



- 1 Service: Manufacturer use only
- 2 L/R In: Connect to an analog audio source with a stereo analog audio signal output.
- 3 Optical In: Connect to a digital audio source with a digital optical output (stereo or multi-channel).
- 4 HDMI In: Connect to a source with an HDMI output.

SES-AUD-N-HDMI4K Features

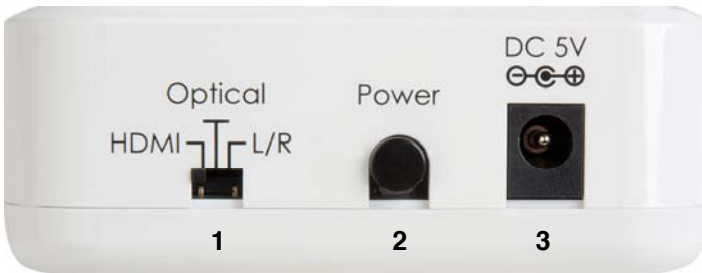
LEFT SIDE PANEL



- 1 HDMI Out: Connect to a display with an HDMI cable for output of audio/video/HDMI signal.

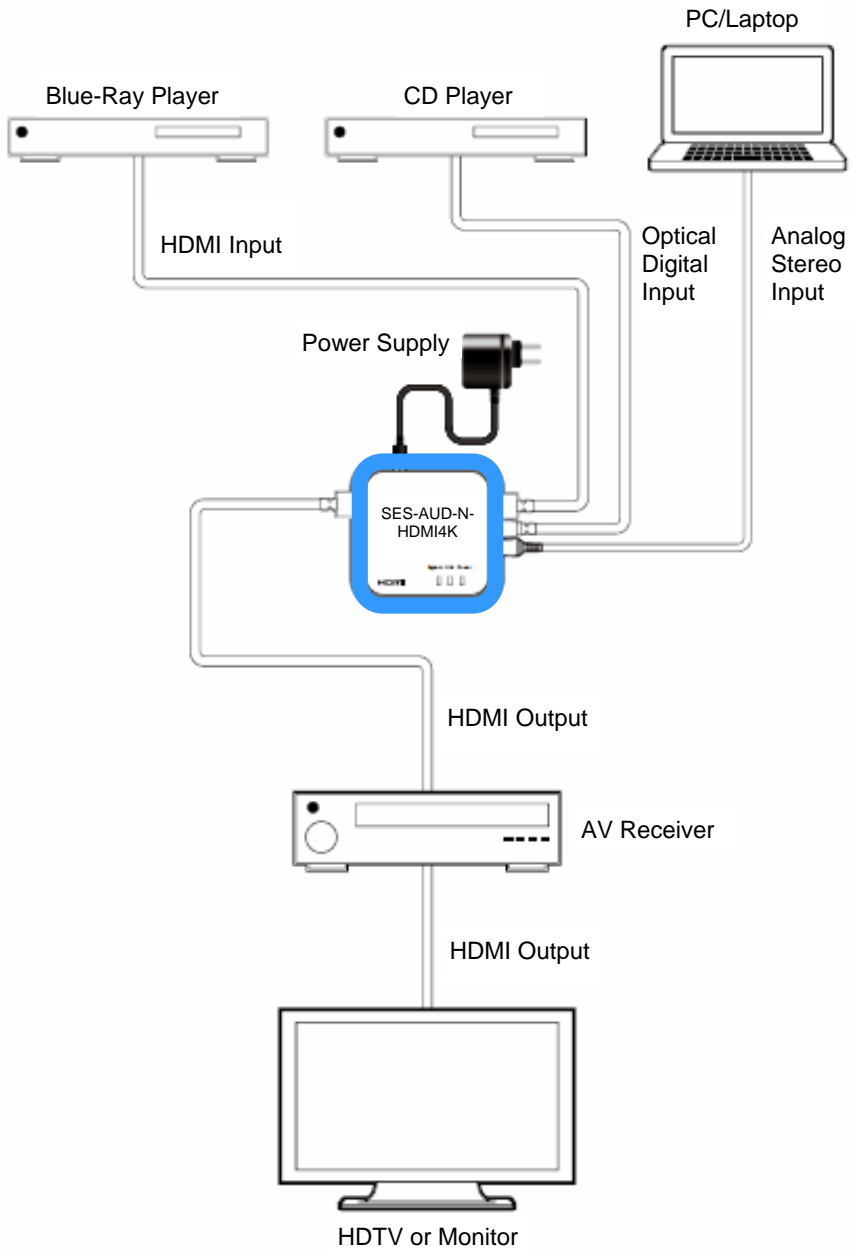
Note: A 4Kx2K/3D display and a high speed HDMI cable are required for playback of 4Kx2K/3D HDMI source signals.

REAR PANEL



- 1 Input Switch: Select required audio input to be inserted
 - HDMI—selects original audio of HMDI source
 - Optical—selects external audio of digital optical audio source
 - L/R—selects external audio of analog stereo (L/R) audio source
- 2 Power: Press to turn power on or to set for standby mode
- 3 DC 5V: Connect the 5VDC power supply

SES-AUD-N-HDMI4K Connection Diagram





SAFETY PRECAUTIONS



1. To prevent fire or shock hazard, do not expose this equipment to high humidity and/or dust. Do not use in an unprotected outdoor installation nor any area classified as overly damp or wet.
2. The temperature for installation should be kept between 32°F to 140°F (0°C to 60°C). Avoid direct sunlight exposure or extreme changes of temperature over a short period of time.
3. Do not disassemble the unit or place it on an unstable base.
4. Do not drop the unit and avoid heavy impact.
5. This unit should not be permanently installed unless proper ventilation is provided. Any enclosure openings must not be blocked or covered as they protect the unit from overheating.
6. Before cleaning, turn off the power and unplug the unit from all connections. Use a damp cloth. Do not use liquid cleaners nor aerosol cleaners.
7. Do not overload outlets and extension cords as this may result in a risk of fire or electric shock.
8. Enclosure entry is dangerous. Never push objects of any kind, including liquids, into this unit through openings as they may touch dangerous voltage points or short-out parts that could result in a fire or electric shock.
9. Do not attempt to open or service this unit yourself as opening or removing covers may expose you to dangerous voltage and other hazards.
10. There are no user-serviceable parts inside the unit. If the unit requires service contact your authorized dealer, or an authorized repair service company.

SESCOM

PO Box 720
Mt. Marion, NY 12456

www.sescom.com

SESCOM[®]

The Audio Source.